

Product Specification

Product Class: LED LENS

Item No:**DK-286X20-LR25-XT-H7**

Material: PMMA

Certification: RoHS


Set up: PeiShan Wu

Check: ZongWei Qiu

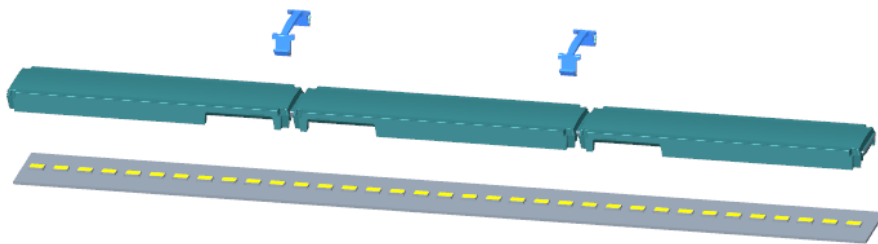
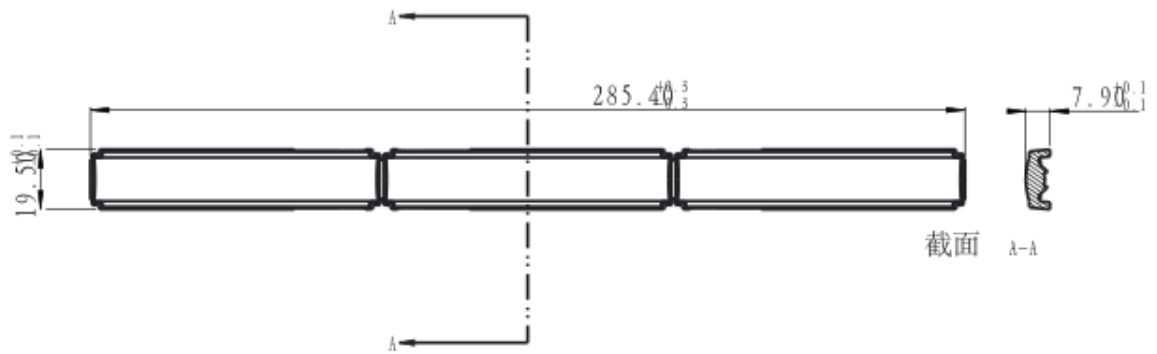
Content

Specification-----	3
2D Drawing-----	4
Optical Datasheet-----	5
Packing-----	6
Application Notes-----	7

Specification

Item No	Picture	Size	Matched LED	Lighting Application
DK-286X20-LR25-XT-H7		Diameter: 285.4mm Height:7.9mm FWHM:LR25°	3030 5630	Line Light

Drawing



Optical Test Report

产品特征

灯具制造厂商:
电压: 32.0 V
功率: 4.56 W

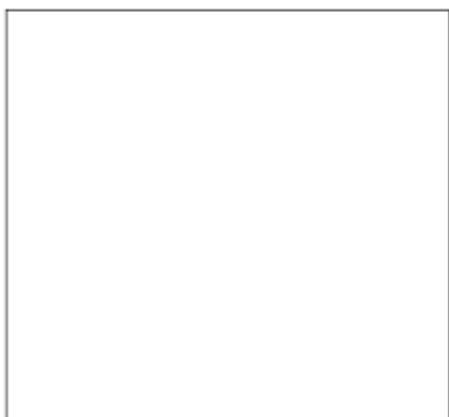
电流: 0.143 A
功率因数: 1.000

光度结果

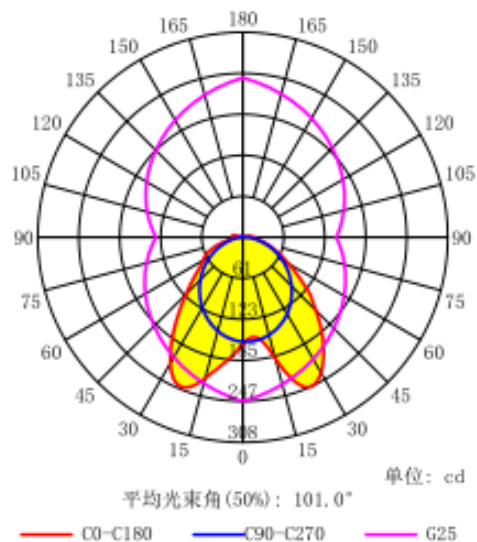
灯具CIE分类: 直接型
灯具光通量: 544.8 lm
下射光通量比: 96%
水平扩散角(10%, 50%, 75%, 100%): H159, H96, H75.3, H48
垂直扩散角(10%, 50%, 75%, 100%): V162.1, V106.3, V70.4, V3
灯具光效等级(LER): 119.52
峰值光强: 247.17 cd
S/MH(C0/C180): 1.63

额定光通量: 544.8 lm
灯具效率: 100%
上射光通量比: 4%
中心光强: 160.74 cd
峰值光强位置: H0 V25
S/MH(C90/C270): 1.21

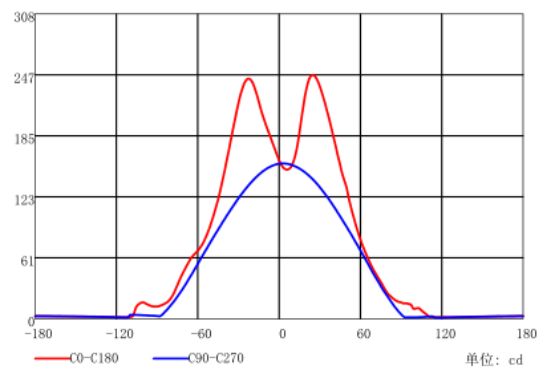
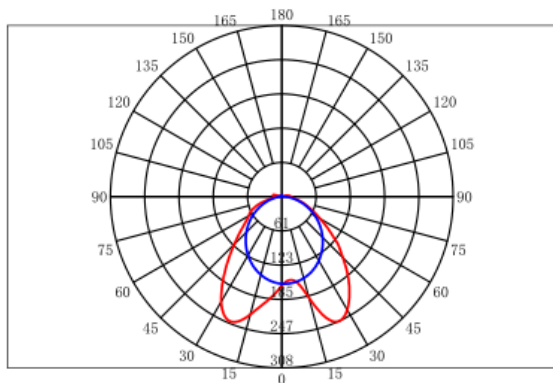
灯具实物照片



配光曲线



配光曲线



Packing

Material	Size	Packing Instruction
EPE	315*240mm	2 Box/1 Carton
White Paperboard	A 级 (400g) 310*230mm	
Box	320*245*115mm	
Carton	A=B 505*330*255mm	

Application Notes

(1) Please use a little water and soft fabric (air-laid paper) to clean the lens & reflector if necessary.

(2) Forbid to use industrial solvent to clean the lens, such as alcohol.

(3) The working temperature is $-35^{\circ}\text{C}\sim+120^{\circ}\text{C}$.

(4) Storage environment temperature is $0^{\circ}\text{C}\sim40^{\circ}\text{C}$, humidity is 30%~95%.

Optic Lens has the function to change the ray of light, it is made of optical material, the effect shall be influenced once pollute. Please do not open the packing before use it, to avoid the dust pollution.

(5) Protect the product from the sun and other ultraviolet ray, as these will lead to aging, change color, crack, etc.

(6) Please wear gloves once install the lens, avoid to abrasion the lens surface.

(7) Forbid to use acidic or alkaline solution touch the product, avoid to generate the chemical reactions.