

## Product Specification

Product Class: LED LENS

Item No: **DK173-135\*55-TPII-M-H**

Material: PC

Certification: RoHS

Set up: Xuan Yang

Check: Xiaohui Liang

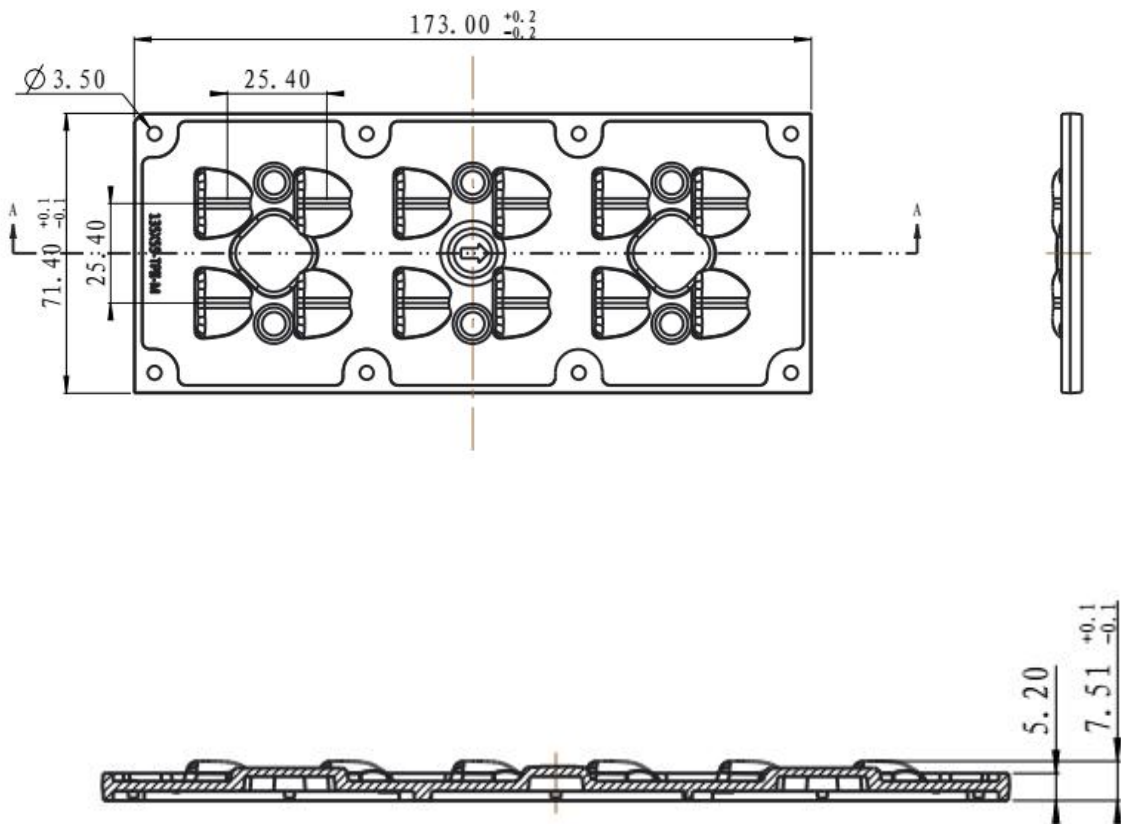
## Content

Specification-----	3
2D Drawing-----	4
Optical Datasheet-----	5
Packing-----	6
Application Notes-----	7

## Specification

Item No	Picture	Size	Matched LED	Lighting Application
DK173-135*55-TPII-M-H		Diameter: <b>Φ173*71.4</b>  Height:9mm  FWHM:135*55°	3535	streetlight

## Drawing



截面 A-A

## Optical Test Report

### 产品特征

灯具种类:

灯具制造厂商: 达尔科光学

光源光通量: 3929.7 lm

灯具宽度(mm): 0 mm

电压: 223.3 V

功率: 42.20 W

光源个数: 1

灯具长度(mm): 0 mm

灯具高度(mm): 0 mm

电流: 0.336 A

功率因数: 0.562

### 光度结果

灯具CIE分类: 直接型

灯具光通量: 3929.7 lm

下射光通量比: 100.00%

水平扩散角(10%, 25%, 50%, 75%): H150.2, H123.3, H54, H45.4

垂直扩散角(10%, 25%, 50%, 75%): V153.8, V146.4, V143.2, V140.4

灯具光效等级(LER): 93

峰值光强: 2410.29 cd

额定光通量: 3929.7 lm

灯具效率: 100.00%

上射光通量比: 0.00%

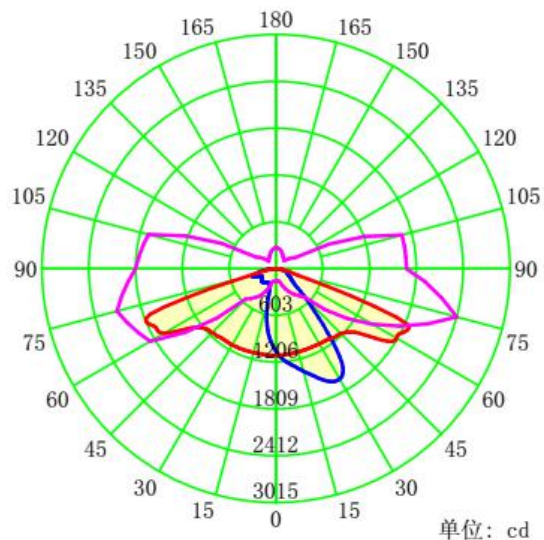
中心光强: 1067.47 cd

峰值光强位置: H75 V68

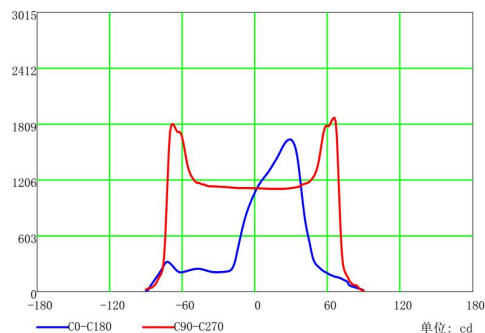
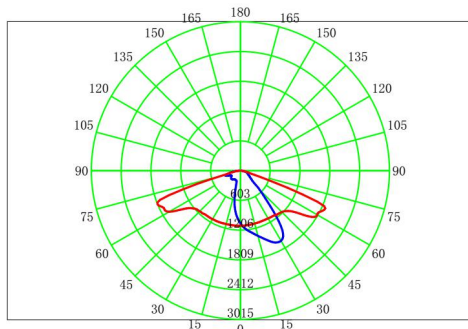
灯具实物照片



配光曲线



配光曲线



## Packing

Material	Size	Packing Instruction
White paper	White paper	60 PCS/1 Box 4 Box/1 Carton
EPE	EPE(315*240)mm	
White Paperboard	A 级 (400g) 310*230/mm	
Box	320*245*115/mm	
Carton	A=B 505*330*255/mm	



## Application Notes

(1) Please use a little water and soft fabric (air-laid paper) to clean the lens & reflector if necessary.

(2) Forbid to use industrial solvent to clean the lens, such as alcohol.

(3) The working temperature is  $-35^{\circ}\text{C}\sim+120^{\circ}\text{C}$ .

(4) Storage environment temperature is  $0^{\circ}\text{C}\sim40^{\circ}\text{C}$ , humidity is 30%~95%.

Optic Lens has the function to change the ray of light, it is made of optical material, the effect shall be influenced once pollute. Please do not open the packing before use it, to avoid the dust pollution.

(5) Protect the product from the sun and other ultraviolet ray, as these will lead to aging, change color, crack, etc.

(6) Please wear gloves once install the lens, avoid to abrasion the lens surface.

(7) Forbid to use acidic or alkaline solution touch the product, avoid to generate the chemical reactions.